

# [ JYX 高效选粉机系列 ]

## 产品优势和特点

该机充分体现当前先进的设计理念,主要用于干法制砂生产线及各种矿山、冶金、建材等行业的各种物料的细粉筛选加工。

主要特点:

- 1、采用了调速电机调节主轴转速,细度调节方便,灵敏可靠,调节范围大。
- 2、自动控制能力强,运行稳定,检修便捷。
- 3、收集细粉后成品颗粒达到国家机制砂行业标准。

## { JYX Powder Separator Series }

Advantages and Features:

Shanghai jianye powder separator is designed with advanced innovation, it is widely used in sand making production line in dry way, and powder separating and processing task in mining, metallurgy, and construction field.

Main features:

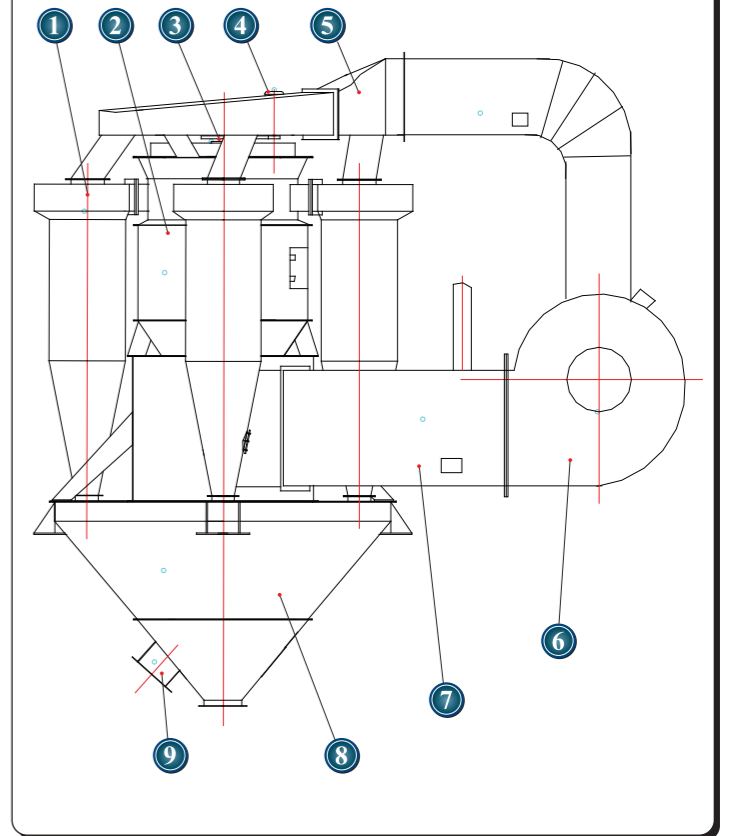
- 1.Adjustable speed motor controls the rotate speed of main shaft, and fineness can be adjusted conveniently and sensitively with a large range.
- 2.High auto-controlling ability, stable performance and easy maintenance.
- 3.The granularity of separated powder material product is up to the National standard of enginery making sand.

### 主要部件

### MAIN COMPONENTS

- |           |                          |                          |                            |                |
|-----------|--------------------------|--------------------------|----------------------------|----------------|
| 1.旋风筒     | 2.选粉装置                   | 3.主轴                     | 4.驱动装置                     | 5.出风管          |
| 6.风机      | 7.进风管                    | 8.细粉收集                   | 9.粗粉收集                     |                |
| 1.Cyclone | 2.Powder separating unit | 3.Main shaft             | 4.Driving unit             | 5.Out-air pipe |
| 6.Blower  | 7.In air pipe            | 8.fine powder collecting | 9.Coarse powder collecting |                |

## 结构图 Structural drawing



## 技术参数 Specification

型号 Model	JYX500	JYX600	JYX700	JYX800	JYX900	JYX1000	JYX1200	
处理量 Capacity	20-30	30-40	40-70	70-90	90-100	100-120	120-150	
产品细度 Fineness	成品砂 sand	0.5-4.75(mm)						
	细粉 mineral powder	40(μm)						
主轴转速 Main shaft rotate speed	190-380	150-350	150-320	120-300	120-300	120-280	120-280	
电机 Motor	型号 Model	YCTL225-4A	YCTL225-4B	YCTL250-4A	Y250M-6	Y280-6	Y315S-6	Y315M-6
	转速 Rotate speed	125-1250	225-1250	125-1250	980	980	990	990
	功率 Power	11	15	18.5	37	55	75	90
	变频器 transducer	\	\	\	T9-45	T9-55	T9-90	T9-110
风机 Blower	型号 Model	4-72.8C	4-92.10C	4-72N.12C	4-72N.14D	4-72N.16B	4-72N.16B	4-73N.18D
	风量 Air quantity	29900	37850	62500	120-300	120-300	120-280	120-280
	风压 Air pressure	2300	2310	2490	120-300	120-300	120-280	120-280
	功率 Model	37	37	55	90	110	160	200
变频器 transducer	\	\	\	\	\	\	\	
整机重量 Total weight	9.63	11.26	12.18	16.60	20.68	25.80	32.6	

注明: 此表为理论处理量,实际工作中因物料种类不同,处理量上下波动。