

# 新型-节能

New type-energy saving

Efficiency compound fine sand making machine

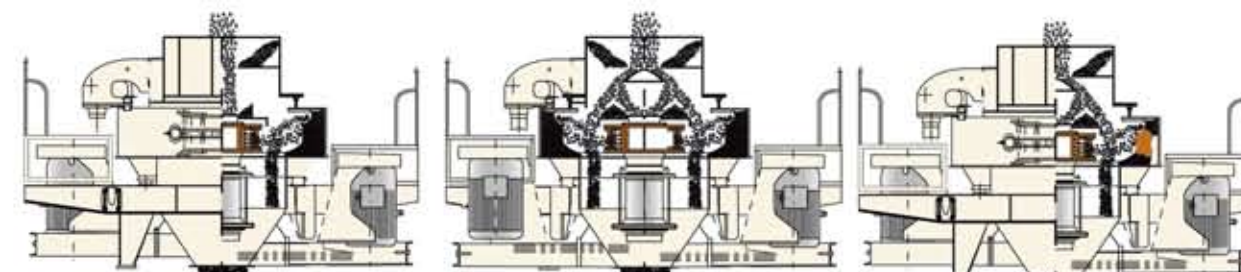
## JYT 高效制砂机节能复合细碎制砂机



### 产品简介 Product introduction

可广泛应用于各种矿石、水泥、耐火材料、铝矾土熟料、石英砂、棕刚玉、珍珠岩、铁矿石、玄武岩、金刚砂、玻璃原料等高硬、特硬物料的中、细碎领域。在机制建筑砂、石料以及各种冶金矿渣的破碎中更是得到普遍使用，特别对中硬、特硬物料比其他类型的破碎机更具有优越性，产量功效高。

JYS crusher are widely applied to process all kinds of ores, concrete, fireproof material, bauxite, quartz, basalt, glass, etc. JYS crusher has many advantages than other machines, for medium and high hardness material. It's highly applied in sand-making and other mineral waste residue crushing.



中心进料石打石  
Center feeding, stone hits stone

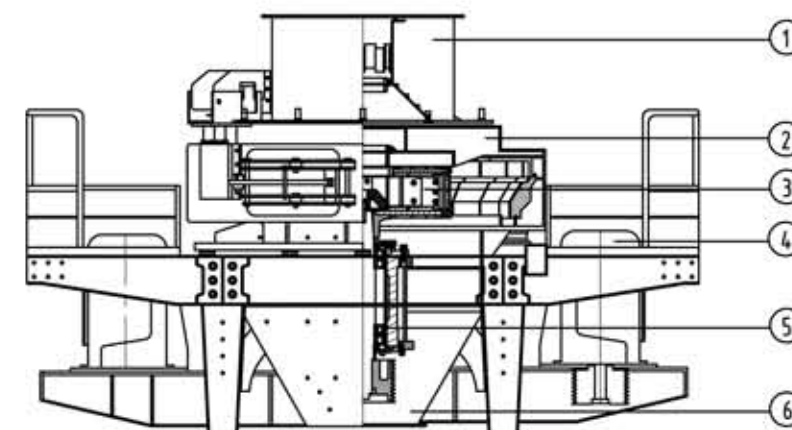
中心进料伴随环形瀑布进料石打石  
Circular waterfall, stone hits stone

中心进料伴随环形瀑布进料石打铁  
Circular waterfall, stone hits iron

### 该机特点与技术优势 Features & Technical Advantages

- 专用的稀油润滑循环系统，确保温升在25℃以内；
- 全新的自动化保护装置，为机器提供振动、机油过滤报警装置；
- 新型油质过滤系统，保证轴承及其它传动装置不被意外磨损，增长使用寿命；
- 耐磨材料的优化排列设计，提高使用寿命40%以上，从而降低成本40%以上。
- Special light thin oil lubrication systems to ensure the temperature to be within 25℃
- Innovative automatic protection device to provide the machine with vibrating, oil filtering and warning system;
- New type oil filtering system protects the bearings and other transmission system from unexpected, to prolong the service time;
- with wearable materials prolong the service time of the machine by 40%. So the cost is lowered by more than 40%.

### 结构图 STRUCTURAL DRAWING



- |        |               |        |                    |
|--------|---------------|--------|--------------------|
| 1. 进料口 | 1. Feed mouth | 4. 电机  | 4. Motor           |
| 2. 机体  | 2. Body       | 5. 主轴  | 5. Main shaft      |
| 3. 转盘  | 3. Rotor      | 6. 排料口 | 6. Discharge Mouth |

### JYT系列节能复合细碎制砂机

JYT Series energy-saving composite finely system sand machine

规格型号 Model	叶轮转速 Impeller speed (r/min)	最大入料粒度 Max feeder size (mm)	功率 Power (kw)	通过量 Capacity (t/h)	外形尺寸 Overall dimensions (L/W/H)(mm>)
JYT3990	1490-1610	≤40	132*2	100-280	4680*2000*3100
JYT4105	1300-1420	≤60	160*2	120-300	4440*2250*3100
JYT5120	1070-1190	≤60	200*2	180-460	5000*2250*3500

注：本公司产品设计与规格不断改进，外形及各项技术参数若有变更，请以实物为准并严格按照使用说明书操作。其生产能力与所破碎物料的物理性能和进料粒度有关。

Please note:

If there is any change about specification and dimension, which is subject to the user's manual with goods sent out; Capacity is relevant to the character of raw material and feeding size.



上海建冶重工机械有限公司  
SHANGHAI JIANYE HEAVY INDUSTRY CO., LTD  
地址：中国上海浦东新区金桥路1389号  
Add: 1389 Jinqiao Rd. Pudong New District, Shanghai China