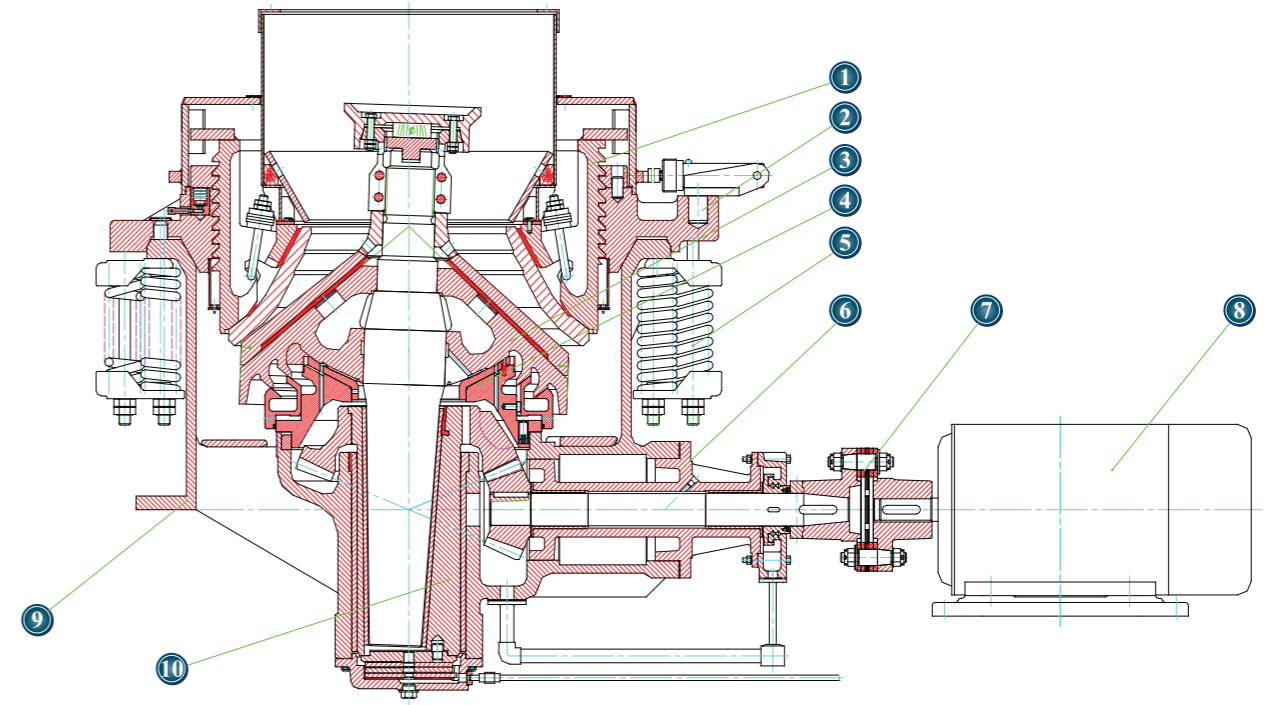




结构图 *Structural drawing*



- | | | | | | |
|---------|--------|---------|-------------------------------|----------------------|---------------------------|
| 1.调整套部 | 2.支承套部 | 3.破碎圆锥部 | 1.Adjusting section | 2.Supporting section | 3.Cone section |
| 4.碗形轴承部 | 5.弹簧部 | 6.传动部 | 4.Bowl-shaped bearing section | 5.Spring section | 6.Driving section |
| 7.联轴器 | 8.主电动机 | 9.机架部 | 7.Coupling union | 8.Main motor | 9.Frame section |
| | | 10.偏心轴部 | | | 10.Eccentric axis section |



[JYZ 圆锥破碎机系列]

产品优势和特点

本系破碎机广泛应用在冶金、建筑、道路、化工和硅酸盐等工业中，适用于破碎中等和中等以上硬度的各种矿石和岩石。

本机具有结构可靠、生产效率高、调整方便、产品粒形佳、粒度分布均匀、使用经济等特点，目前国内外广为使用。弹簧保险系统是过载保护装置，可使异物铁块通过破碎腔不危害破碎机。采用干油、水两种密封形式，使石粉与润滑油隔离，保证机器运行稳定。破碎腔型式由矿石用途决定，标准型适用于中碎；中型适用于中细碎；短头型适用于细碎。

{ JYZ Cone Crusher Series }

The Shanghai Jianye cone crusher series has a feature of reliable construction, high productivity, easy adjustment and low operating cost. It is widely used both domestic and abroad in metallurgy, architecture, road making, chemistry and silicate industry for crushing various mid-hard and hard ores and rocks.

Its spring release system acts as an overload protection to allow the tramp iron to pass without damage to the crushing chamber. The sealing system uses double dry oil and water sealing to separate the lubricating oil from stone dust to provide its reliable operation. The crushing chamber has standard, medium and short head types to fit the needs of medium crushing, medium-fine crushing and fine crushing.

技术参数 *Specification*

型号 Model	破碎锥直径 (mm) head diameter	最大进料 (mm) Max.Feeding size	排料范围 (mm) output size	处理量 (t/h) Capacity	功率 (kw) Power of motor	外形尺寸 (mm) Overall Dimensions
JYB	600	65	12-25	40	30	2234 × 1370 × 1675
JYD		35	3-13	12-23		2234 × 1370 × 1675
JYB	900	115	15-50	50-90	55	2692 × 1460 × 2350
JYZ		60	5-20	20-65		2692 × 1460 × 2350
JYD		50	3-13	15-50		2692 × 1460 × 2350
JYB	1200	145	20-50	110-168	110	2590 × 1878 × 2844
JYZ		100	8-25	42-135		2590 × 1878 × 2844
JYD		50	3-15	18-105		2590 × 1878 × 2844
JYB	1750	215	25-50	280-480	160	3910 × 2894 × 3809
JYZ		185	10-30	115-320		3910 × 2894 × 3809
JYD		85	5-13	75-230		3910 × 2894 × 3809
JYB	2200	300	30-60	500-800	280/260	4622 × 3302 × 4470
JYZ		230	10-30	200-580		4622 × 3302 × 4470
JYD		100	5-15	120-340		4622 × 3302 × 4470