



[PE 颚式破碎机系列]

产品优势和特点

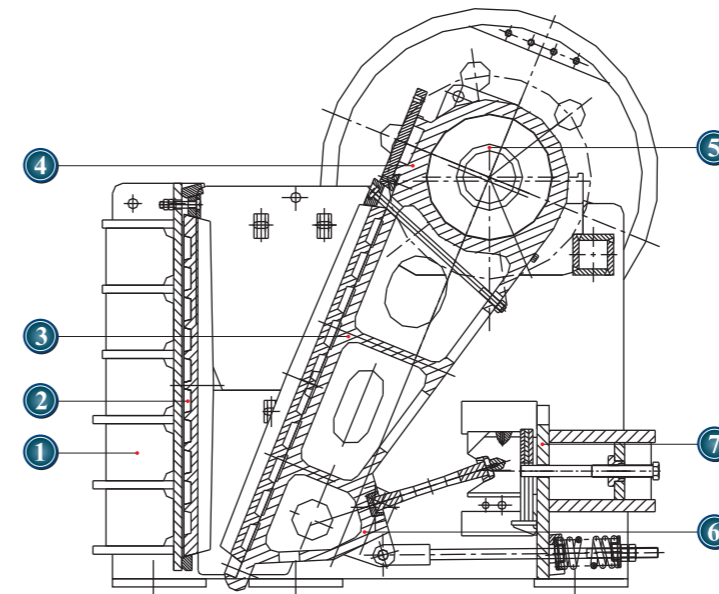
该机型充分体现当前先进的设计思想。其短肘板、低悬挂、大摆角等技术运用，具有处理能力大，操作简单，维修方便和使用寿命长等特点，其优质钢板焊接、热处理过的坚固机架，深受国内外客户欢迎！

本系列产品，用于抗压力强度不超过 320 兆帕的各种碎性物料的粗破碎作业。具有破碎比大、产品粒度均匀、结构牢固、工作稳定、维修方便、运行费用低等特点。已广泛应用于矿山、建筑、冶炼、公路、铁路、水利等部门。

{ *PE Jaw Crusher Series* }

This product series is used in primary crushing of material. It processes various kinds of material with crushing compression strength not more than 320mp. It features firm structure, stable performance, large capacity, even producing granularity, convenient maintenance and economical running expense. It has been widely applied in area of mining, construction material, smelting, railway, high grade road surface, water conservancy, etc.

结构图 *Structural drawing*



1.机架	5.偏心轴	1.Frame	5.Eccentric Shaft
2.固定颚板	6.肘板	2.Fixed jaw Plate	6.Toggle
3.活动颚板	7.调整座	3.Movable Jaw Plate	7.Adjusting Toggle Seat
4.动颚		4.Movable Jaw	



技术参数 *Specification*

型号 Model	进料口尺寸 (mm) Feed Length	最大进料 (mm) Max.Feeding size	排料范围 (mm) output size	处理量 (t/h) Capacity	功率 (kw) Power of motor	外形尺寸 (mm) Overall Dimensions
PE-150 × 250	150 × 250	125	10-40	1-5	5.5	758 × 758 × 794
PE-250 × 400	250 × 400	210	20-60	5-20	15	1500 × 1400 × 900
PE-400 × 600	400 × 600	340	40-100	16-65	30	1700 × 1800 × 1600
PE-500 × 750	500 × 750	425	50-100	50-100	55	1890 × 1940 × 1870
PE-600 × 900	600 × 900	500	65-160	50-120	55	2395 × 1843 × 2230
PE-750 × 1060	750 × 1060	630	80-140	52-180	110	2775 × 2426 × 2840
PE-800 × 1060	800 × 1060	640	100-200	136-230	110	2500 × 2472 × 2810
PE-900 × 1200	900 × 1200	750	95-165	140-260	110	3335 × 3182 × 3430
PE-1000 × 1200	1000 × 1200	850	195-265	315-342	110	3435 × 3182 × 3430
PE-1200 × 1500	1200 × 1500	1020	150-300	400-800	160	4200 × 3732 × 4620
PE-250 × 750	250 × 750	210	15-70	15-30	22	1400 × 1300 × 1350
PE-250 × 1000	250 × 1000	210	25-60	16-52	30	1600 × 2000 × 1500
PE-250 × 1200	250 × 1200	210	25-60	20-60	37	1900 × 2200 × 1500
PE-300 × 1300	300 × 1300	260	30-90	30-70	55	1800 × 2300 × 1700